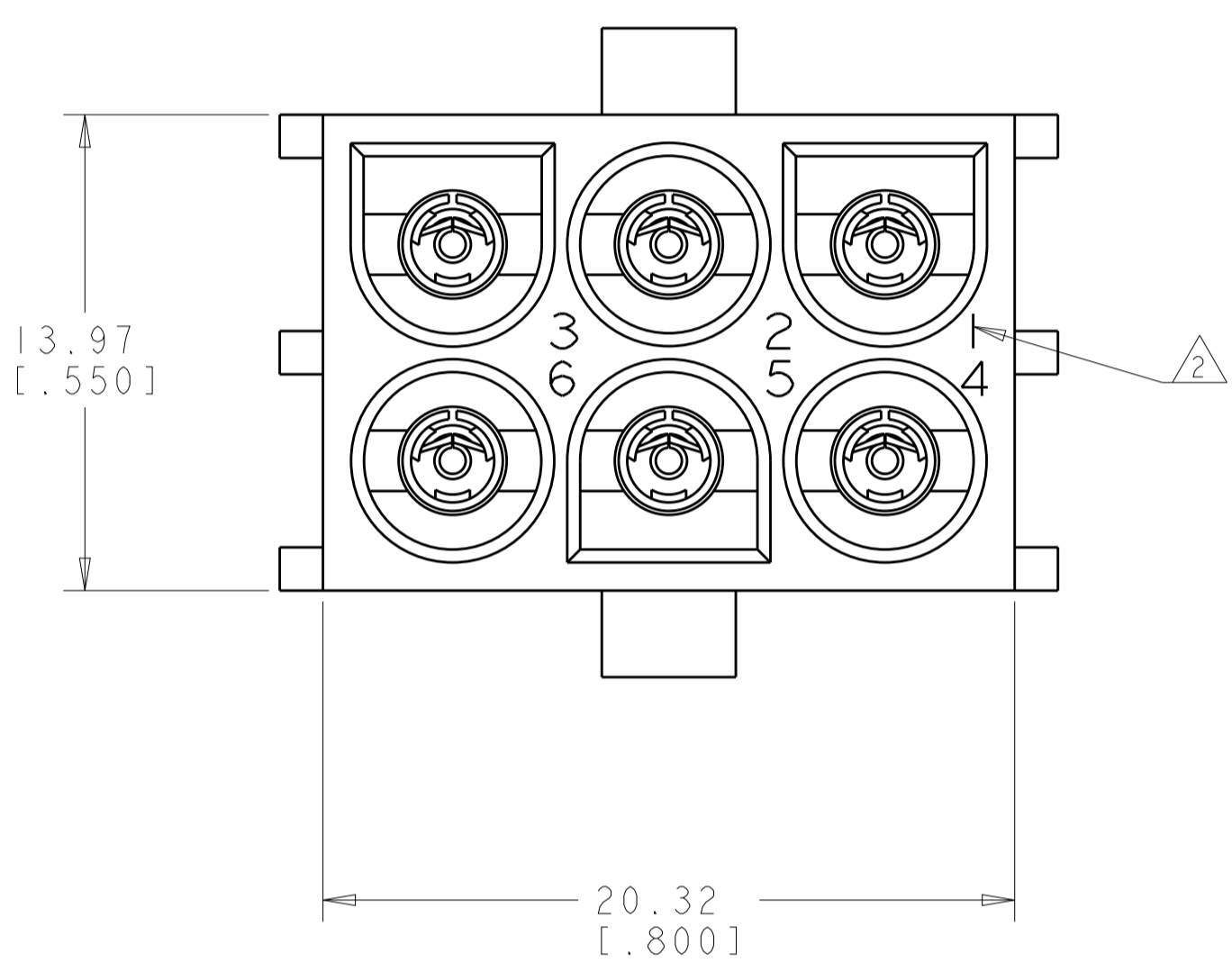
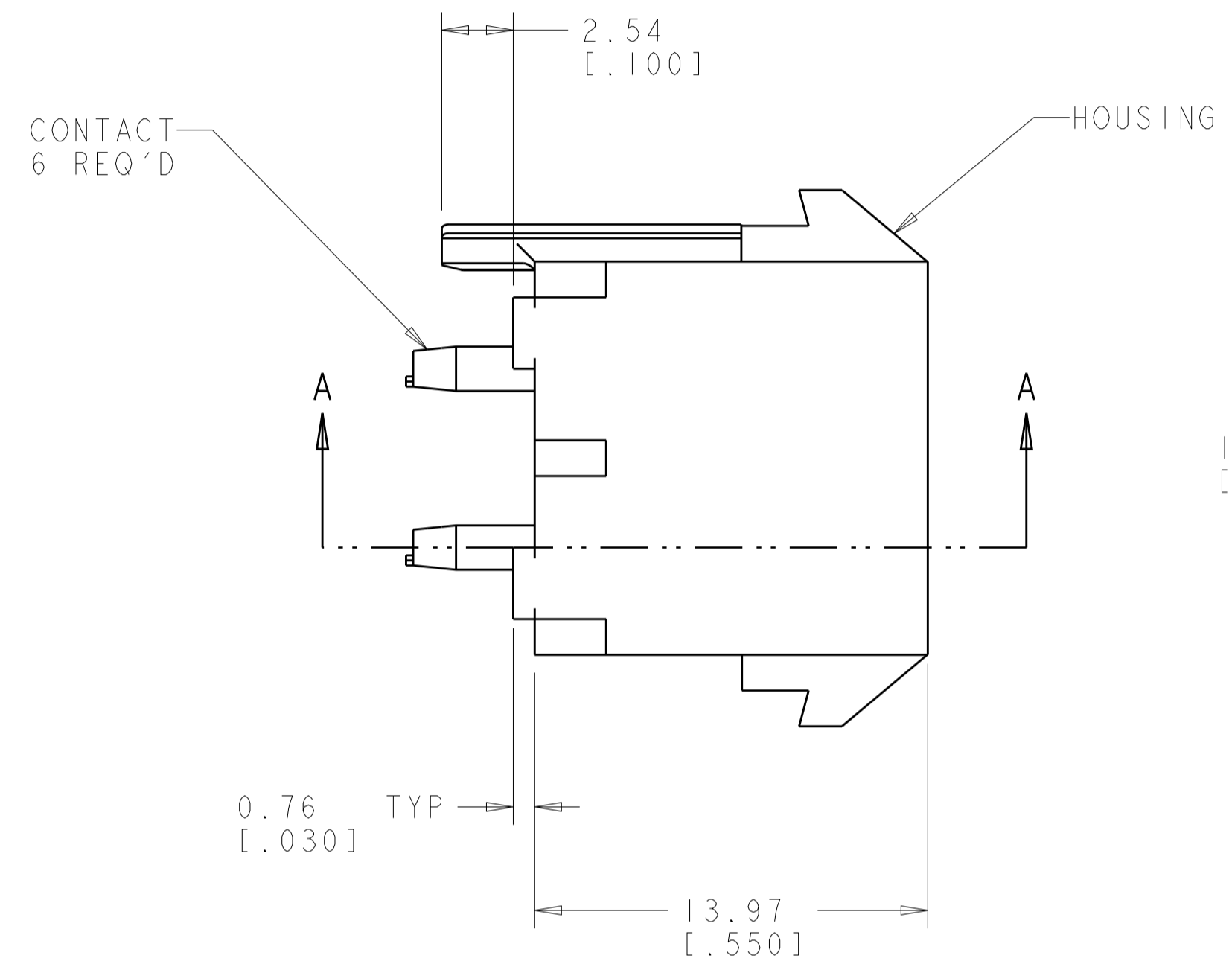
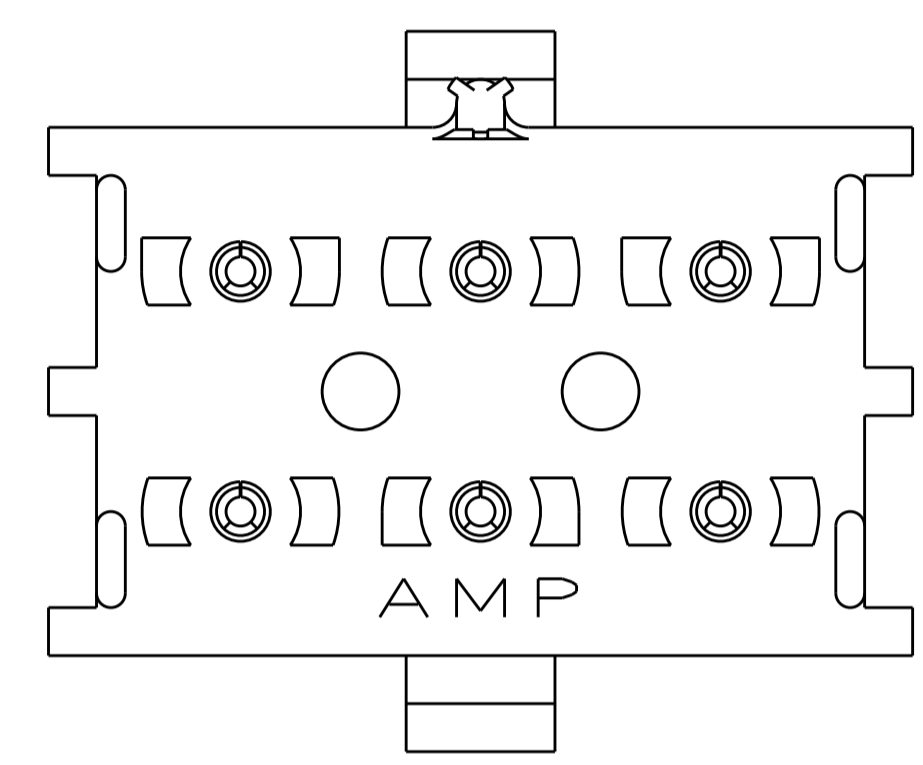
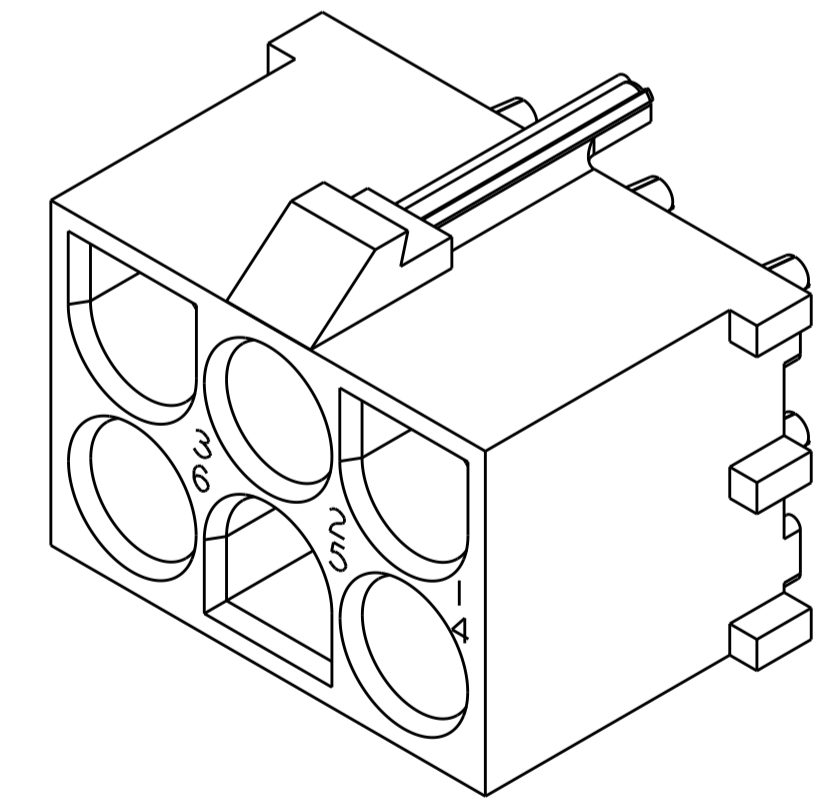


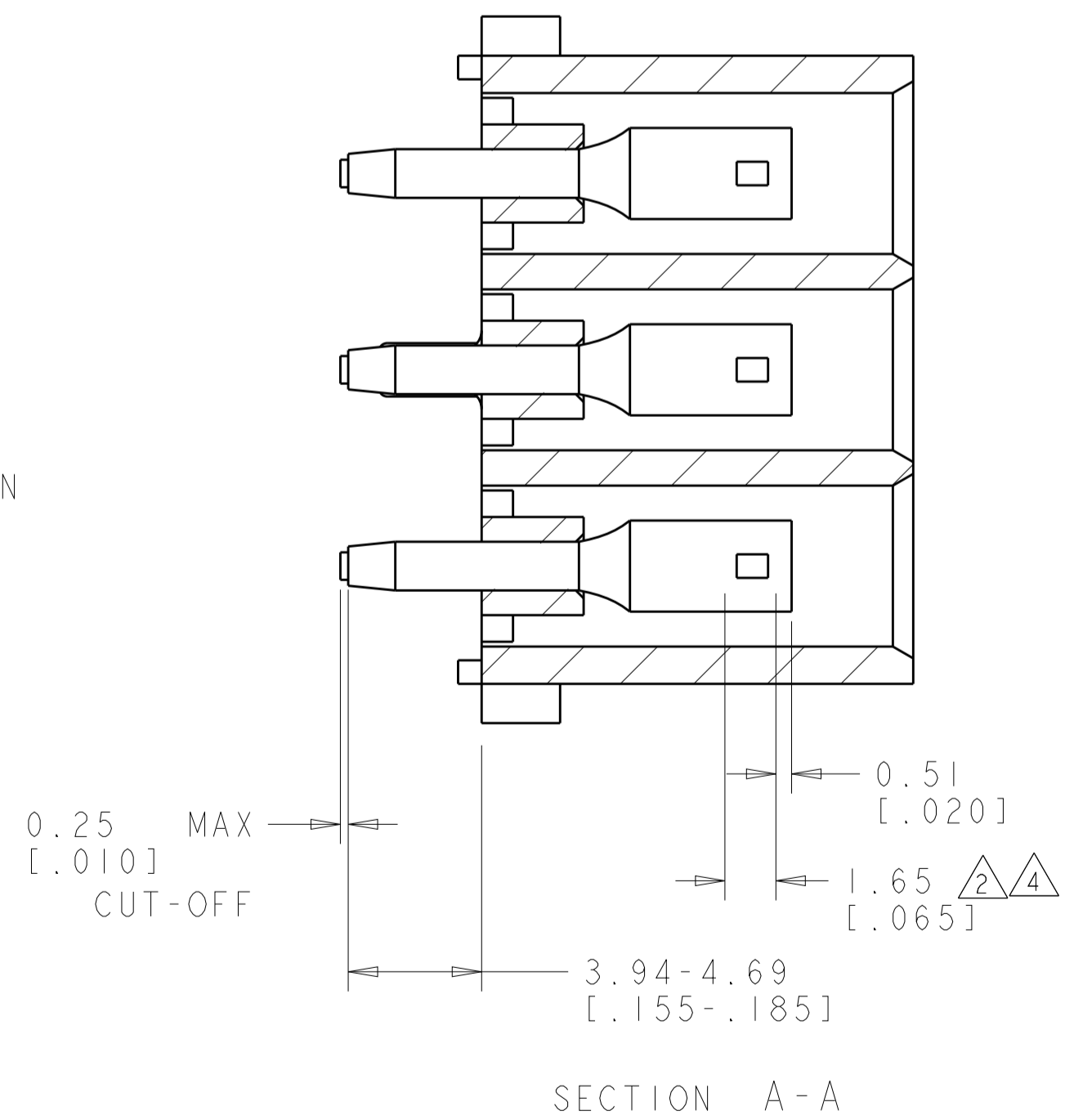
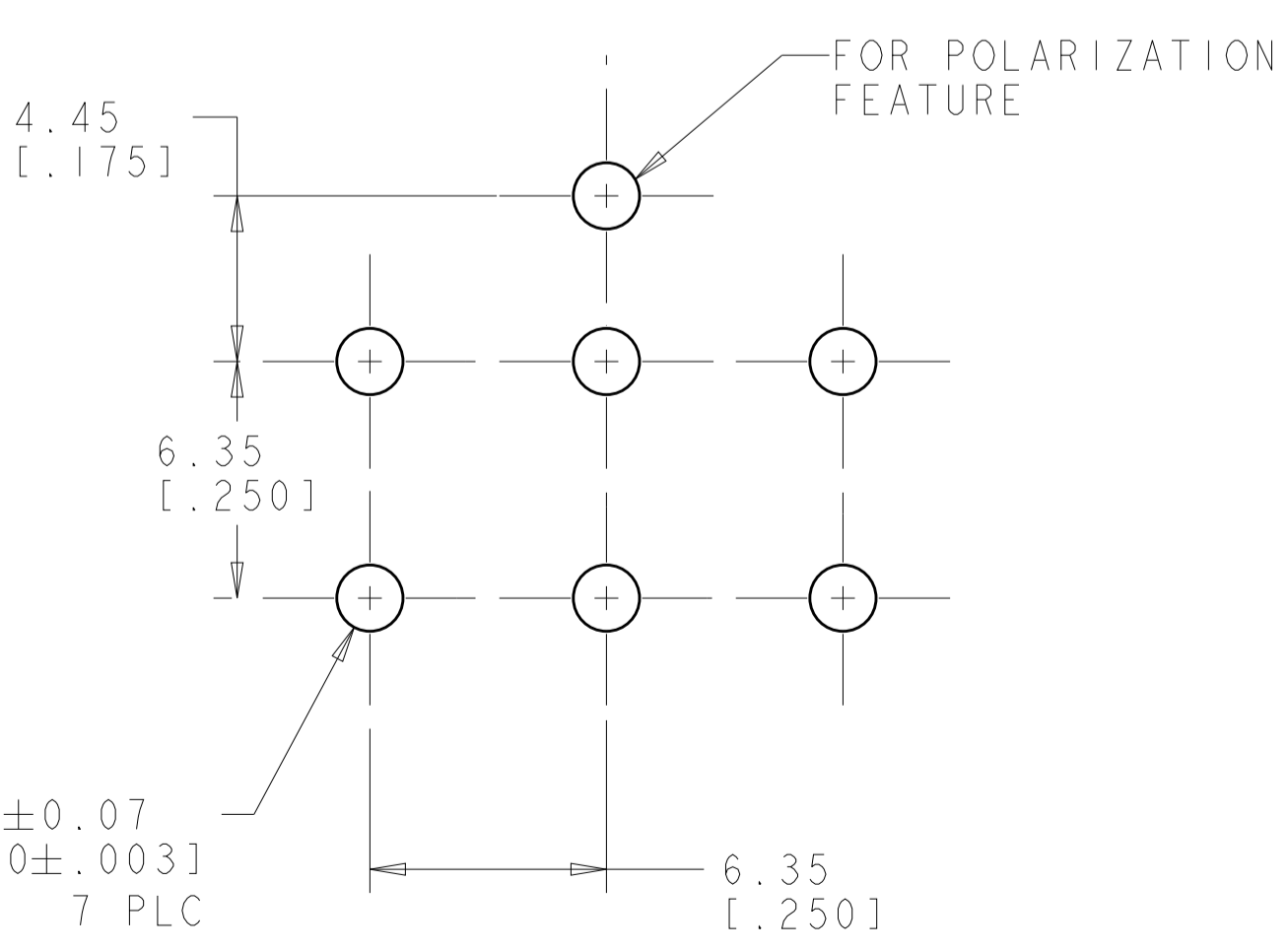
| LOC | DIST | REVISIONS | | | | | |
|-----|------|-----------|-----|---------------------------|-----------|-----|------|
| | | P | LTN | DESCRIPTION | DATE | DWN | APVD |
| CM | 00 | HI | | REVISED PER ECR-12-011660 | 24JAN2013 | KH | TM |



1. PARTS COMPLY TO AMP SOLDERABILITY SPECIFICATION 109-11-3.
2. CONTACT IS PLATED OVERALL WITH 0.00127 [0.00050] NICKEL, THEN STRIPED WITH 0.00076 [0.00030] GOLD IN CONTACT AREA AND TIN-LEAD ON SOLDER TAIL END.
3. CIRCUIT IDENTIFICATION CHARACTERS ARE ADJACENT TO THE INDICATED CAVITIES, BUT LOCATION AND ORIENTATION MAY DIFFER FROM PRINT.
4. CONTACT IS PLATED OVERALL WITH 0.00127 [0.00050] NICKEL, THEN 0.00076 [0.00030] GOLDOVER CONTACT LENGTH INDICATED AND MATTE TIN ON SOLDER TAIL END.
5. SUPERSEDED BY 643424-3



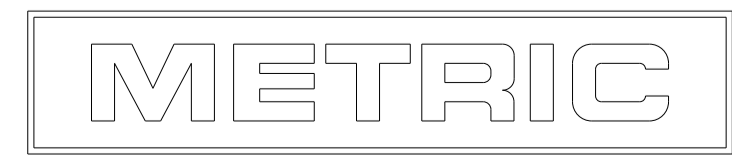
SCALE 4:1



SECTION A-A

| | | |
|-------------------------|----------------|-------------|
| PHOSPOR BRONZE, GOLD | NYLON, UL94V-0 | 643424-3 |
| PHOSPOR BRONZE, GOLD | NYLON, UL94V-0 | 643424-2 |
| PHOSPOR BRONZE, PRE-TIN | NYLON, UL94V-0 | 643424-1 |
| CONTACT | HOUSING | PART NUMBER |

RECOMMENDED MOUNTING HOLE PATTERN FOR 1.57 [.062] THICK P.C. BOARD



| | | | |
|--|--|----------------------------|--|
| THIS DRAWING IS A CONTROLLED DOCUMENT. | | DWN: J. WHITAKER 13OCT2005 | TE Connectivity |
| DIMENSIONS: mm [INCHES] | | CHK: S. RIDGILL 13OCT2005 | |
| TOLERANCES UNLESS OTHERWISE SPECIFIED: | | APVD: S. RIDGILL 13OCT2005 | NAME: SOCKET HEADER ASSEMBLY, POLARIZED, 6 CIRCUIT, UNIVERSAL MATE-N-LOK(TM) |
| 0 PLC ± | | PRODUCT SPEC | |
| 1 PLC ±0.131(.005) | | APPLICATION SPEC | SIZE: CAGE CODE: DRAWING NO: RESTRICTED TO A100779 ©=643424 |
| 2 PLC ± | | WEIGHT | |
| 3 PLC ± | | CUSTOMER DRAWING | SCALE: 5:1 SHEET 1 OF 1 REV: HI |
| 4 PLC ± | | | |
| ANGLES: 40°/30° | | | |
| FINISH: SEE TABLE | | | |